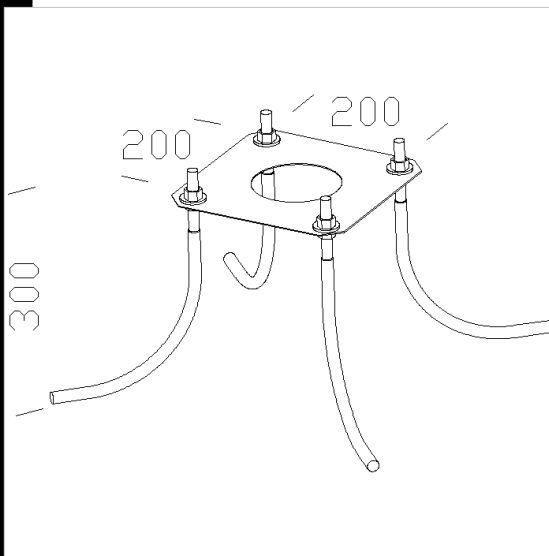
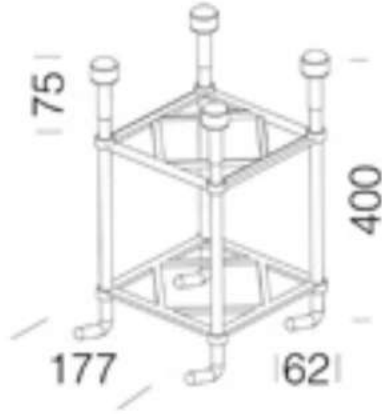


Download

DXF 2D
- 298 tirafondi.dxf



Code	Gear	Kg	Watt	Base	Lamps	Colour
991394-00		2,93				ACCIAIO

Pali



- 1430 Palo City



- 1435 Palo Village